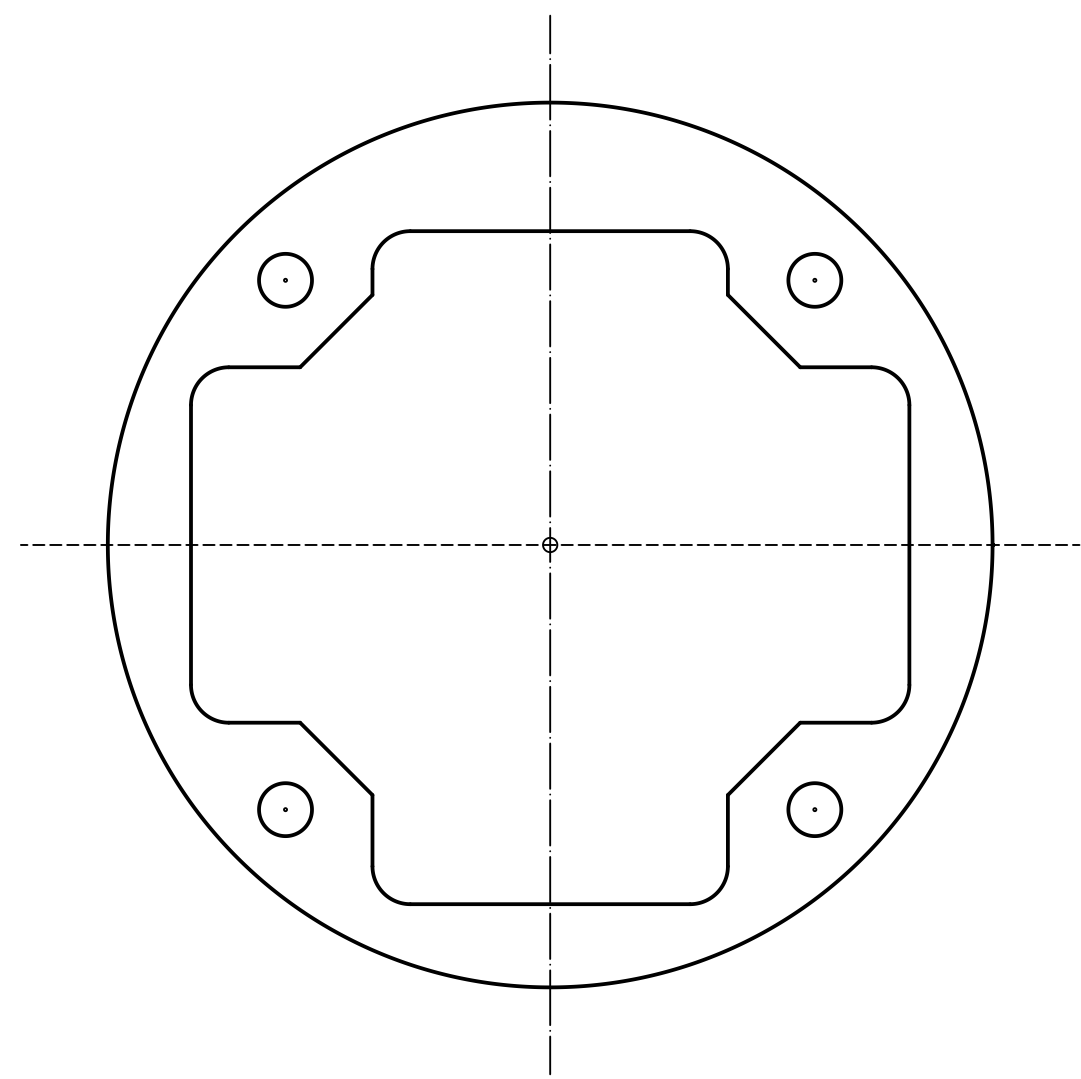
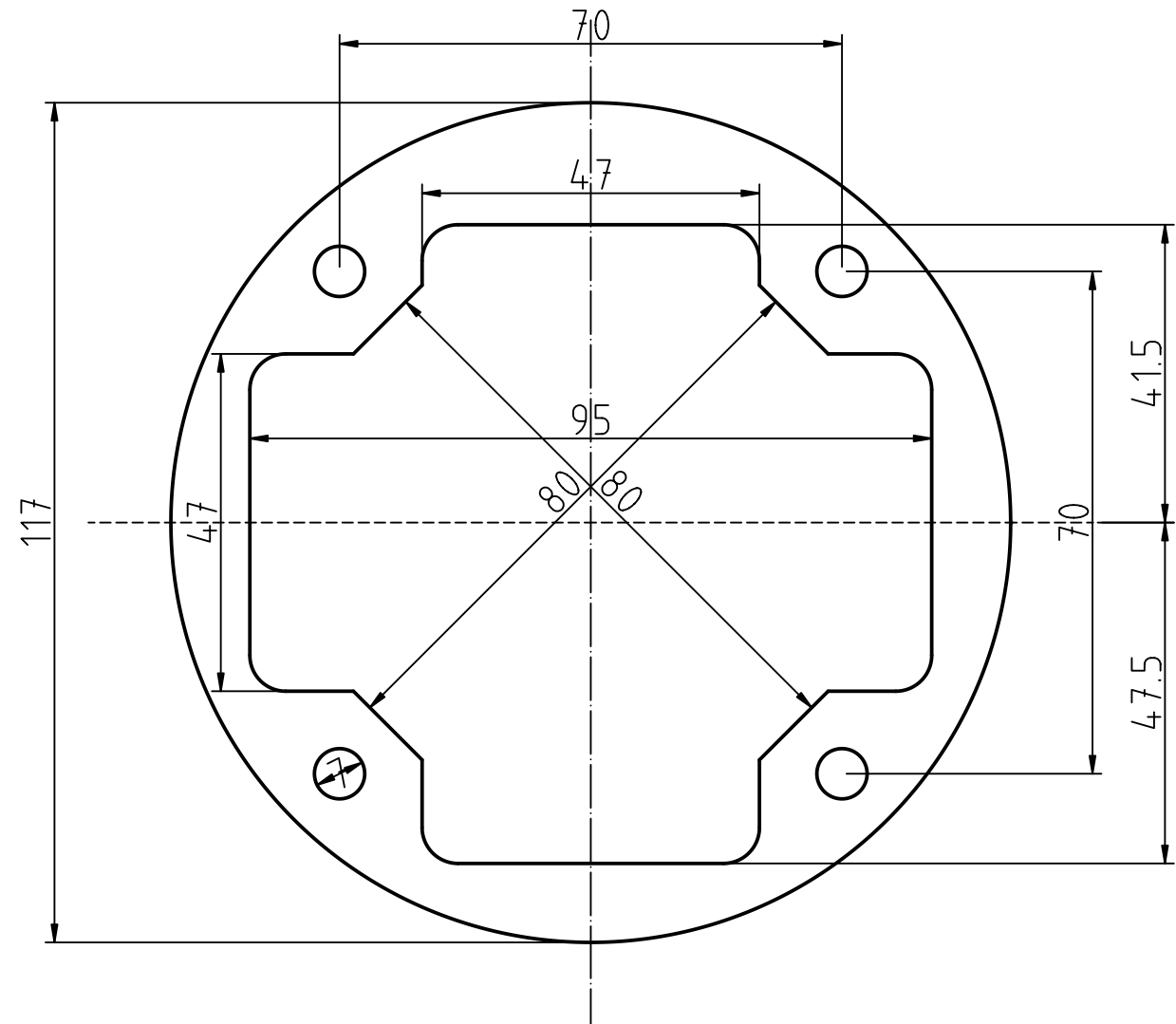


Notes:

Rev No	Revision note	Date	Signature	Checked



Item ref	Quantity	Title/Name, destination, material, dimension etc			Article No./Reference	
Designed by evalbo	Checked by	Approved by - date	Filename	Date 28.03.2016	Scale 1:1	F
			Maße und Bohrschablone DUOSIDA, Typ 2 Ladedose, männlich			
			DIN A3	Edition 1.1	Sheet 1/1	

