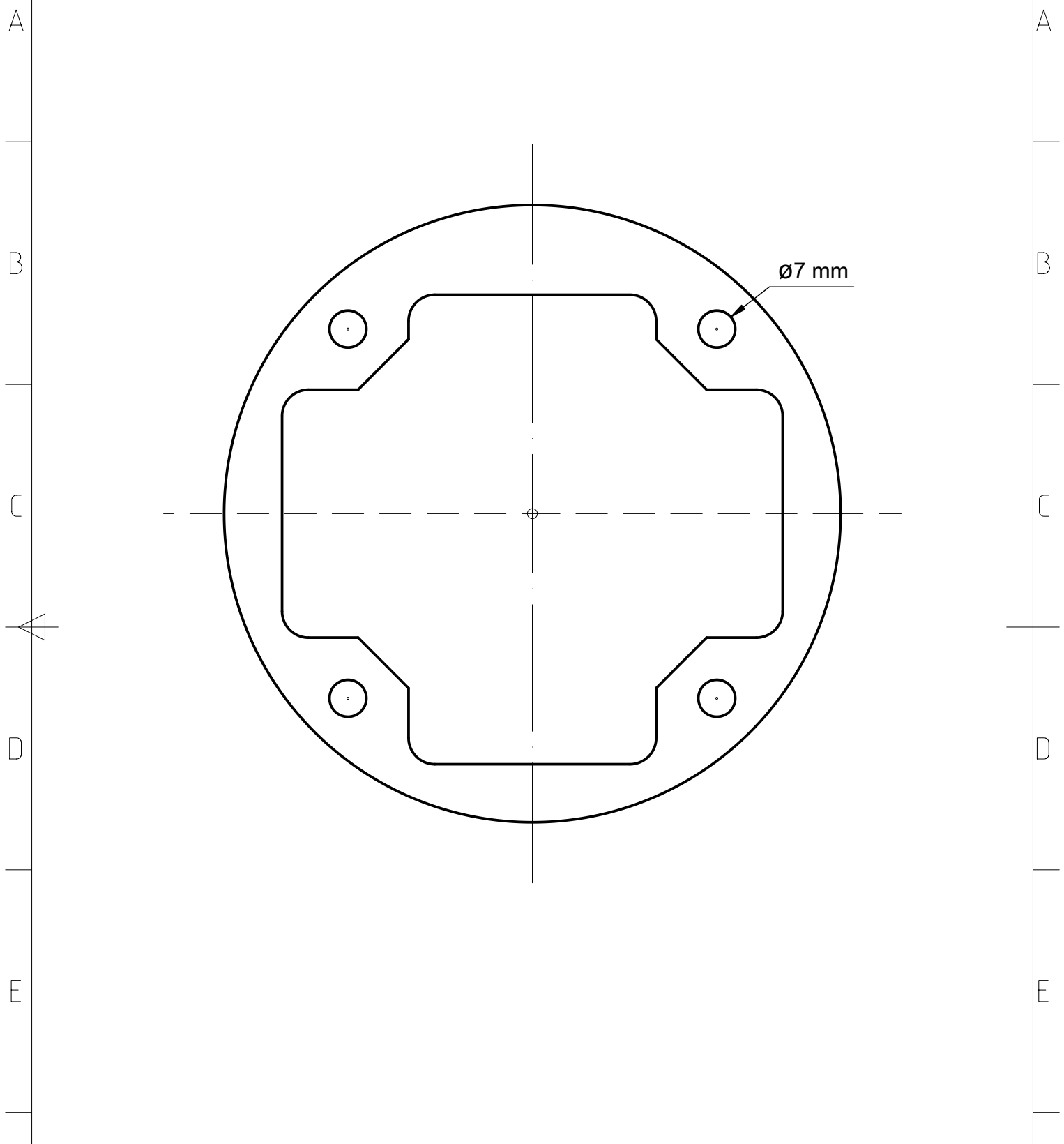



1	2	3	4
RevNo	Revision note	Date	Signature
			Checked



Itemref	Quantity	Title/Name, designation, material, dimension etc			Article No./Reference		
Designed by R. Tornar	Checked by:	Approved by - date	Filename	Date 24.05.2020	Scale 1:1		
			Bohrschablone Typ 2 Dose, männlich			Edition 1.1	Sheet 1/1