

1

2

3

4

Rev No	Revision note	Date	Signature	Checked

A

A

B

B

C

C

D

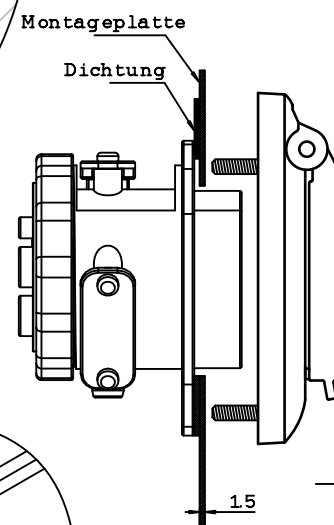
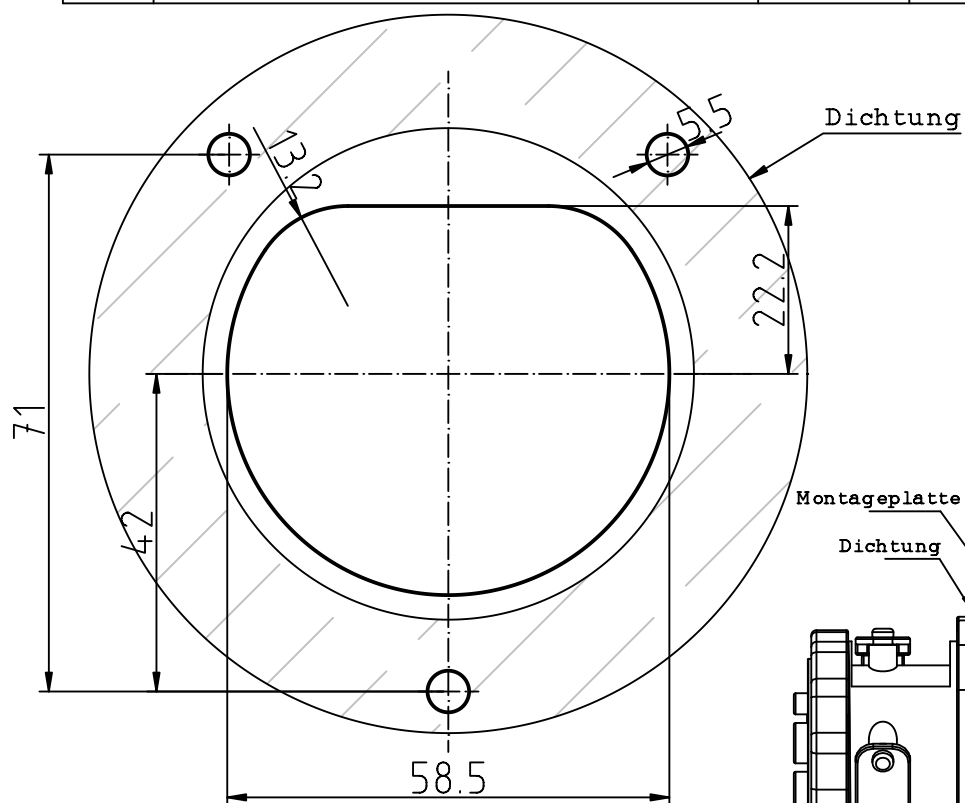
D

E

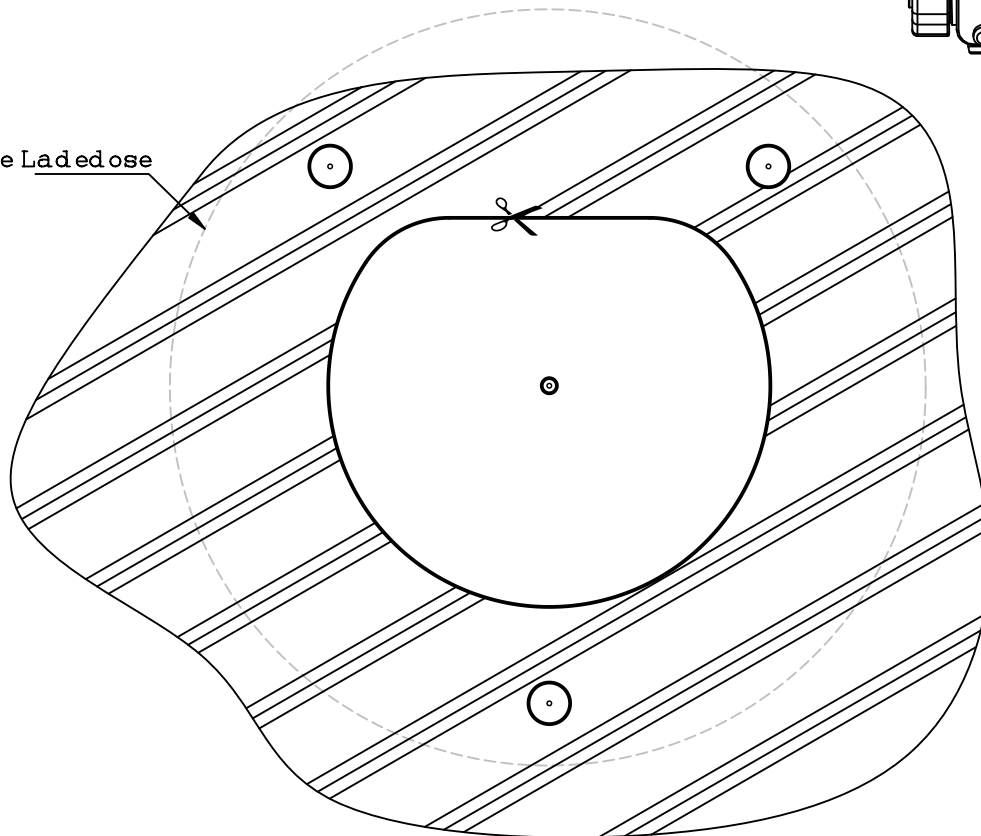
E

F


F



Blende Ladedose



Montage der Ladedose von innen!

Item ref	Quantity	Title/Name, destination, material, dimension etc			Article No./Reference	
Designed by	Checked by	Approved by - date	Filename	Date	Scale	
R. Tornar				15.09.2019	1:1	
			Bohrschablone 1			
			Typ 2 Dose, weiblich, 3 Anschraubpunkte			
			www.evalbo.de		Edition	Sheet
					1.2	1/1

1

4